



## Goddard 886 Series Stainless Steel Swing Check Valve for Cryogenic Service



### Features:

- **Top Entry:** This bolted bonnet valve can be permanently installed in the line and services from the top
- **Construction:** Designed to prevent back flow in cryogenic systems. Higher fluid capacity (CV) than poppet or lift check valves. 316L stainless steel investment cast body, cap and arm
- **Sizes:** ½" through 4" (15mm through 100mm)
- **Ends:** Socket weld and butt weld schedule 10 and 40
- **Temperature Rating:** -325°F to 150°F (-196°C to +66°C)
- **Pressure Rating:** (Cold, Non-shock)  
400 PSIG (26 Bar) ½" - 2"  
275 PSIG (19 Bar) 150# ANSI Class 3" and 4"  
720 PSIG (50 Bar) 300# ANSI Class 3" and 4"  
PED Approved, Approved for US and Canada

**Note:** Do not use for reciprocating gas service.

**Our investment cast stainless steel is specified by leading industrial gas companies for storage tank and yard operations.**

**Ideal for liquid atmospheric gases and LNG storage and handling.**

**High cycle life and superior sealing.**

**Valves for hydrogen service can be supplied. (-425°F to +350°F)**



# Goddard 886 Series Stainless Steel Swing Check Valve for Cryogenic Service

**886**

Stainless Steel Swing Check Valves  
Soft Seat

**GRAFOIL® Gasket - Hydrogen Service**

Part Number	Valve Size		End Connection	Seat	Pressure Rating	Estimated CV	Weight Lbs.
	Inches	mm					
S-0886GF-4S	½"	15 mm	Socket Weld	Soft	400 (26 Bar)	4.50	3 Lbs.
S-0886GF-6S	¾"	20 mm		Soft	400 (26 Bar)	12.00	6 Lbs.
S-0886GF-8S	1"	25 mm		Soft	400 (26 Bar)	61.00	11 Lbs.
S-0886GF-12S	1½"	40 mm		Soft	400 (26 Bar)	99.00	17 Lbs.

Part Number	Valve Size		End Connection	Seat	Pressure Rating	Estimated CV	Weight Lbs.
	Inches	mm					
S-000886-4S	½"	15 mm	Socket Weld	Soft	400 (26 Bar)	4.50	3 Lbs.
S-000886-6S	¾"	20 mm		Soft	400 (26 Bar)	12.00	6 Lbs.
S-000886-8S	1"	25 mm		Soft	400 (26 Bar)	61.00	11 Lbs.
S-000886-12S	1½"	40 mm		Soft	400 (26 Bar)	99.00	17 Lbs.

Part Number	Valve Size		End Connection	Seat	Butt Weld Schedule	Pressure Rating	Estimated CV	Weight Lbs.
	Inches	mm						
S-000886-4WA	½"	15 mm	Butt Weld	Soft	10	400 (26 Bar)	4.50	3 Lbs.
S-000886-8WA	1"	25 mm			10	400 (26 Bar)	18.00	11 Lbs.
S-000886-12WA	1½"	40 mm			10	400 (26 Bar)	61.00	17 Lbs.
S-000886-16W3A	2"	50 mm			10	720 (50 Bar)	99.00	17 Lbs.
S-000886-24WA	3"	80 mm			10	275 (19 Bar)	255.00	47 Lbs.
S-000886-24WJ	3"	80 mm			40	275 (19 Bar)	225.00	46 Lbs.
S-000886-32W3J	4"	100 mm			40	720 (50 Bar)	475.00	95 Lbs.
S-000886-32WA	4"	100 mm			10	275 (19 Bar)	475.00	95 Lbs.

**886M**

Stainless Steel Swing Check Valves  
Metal Seat

**GRAFOIL® Gasket - Hydrogen Service**

Part Number	Valve Size		End Connection	Seat	Pressure Rating	Estimated CV	Weight Lbs.
	Inches	mm					
S-00886M-4S3	½"	15 mm	Socket Weld	Metal	720 (50 Bar)	4.50	3 Lbs.
S-00886M-8S3	1"	25 mm			720 (50 Bar)	18.00	11 Lbs.
S-00886M-12S3	1½"	40 mm			720 (50 Bar)	61.00	17 Lbs.

**Butt Weld Ends**

Part Number	Valve Size		End Connection	Seat	Butt Weld Schedule	Pressure Rating	Estimated CV	Weight Lbs.
	Inches	mm						
S-0886M-16W3A	2"	50 mm	Butt Weld	Metal	10	720 (50 Bar)	99.00	17 Lbs.
S-00886M-24W3J	3"	80 mm			40	720 (50 Bar)	225.00	46 Lbs.
S-00886M-24W3A	3"	80 mm			10	720 (50 Bar)	225.00	46 Lbs.
S-00886M-32WA	4"	100 mm			10	275 (19 Bar)	475.00	95 Lbs.
S-00886M-32W3J	4"	100 mm	Butt Weld		40	720 (50 Bar)	475.00	95 Lbs.

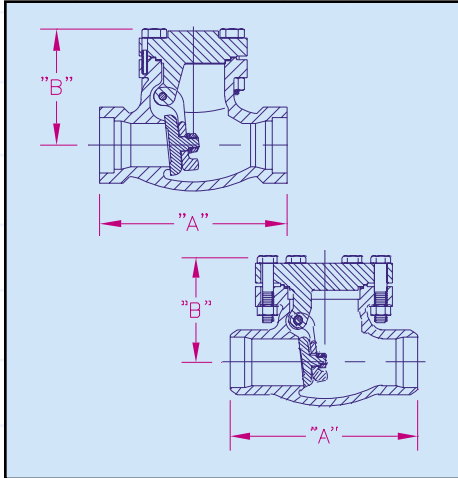
**Butt Weld Ends with GRAFOIL® Gasket for Hydrogen Service**

Part Number	Valve Size		End Connection	Seat	Butt Weld Schedule	Pressure Rating	Estimated CV	Weight Lbs.
	Inches	mm						
S-886MGF-16W3A	2"	50 mm	Butt Weld	Metal	10	720 (50 Bar)	99.00	17 Lbs.
S-886MGF-24W3A	3"	80 mm	SCH 10		10	720 (50 Bar)	225.00	46 Lbs.





# Goddard 886 Series Stainless Steel Swing Check Valve for Cryogenic Service

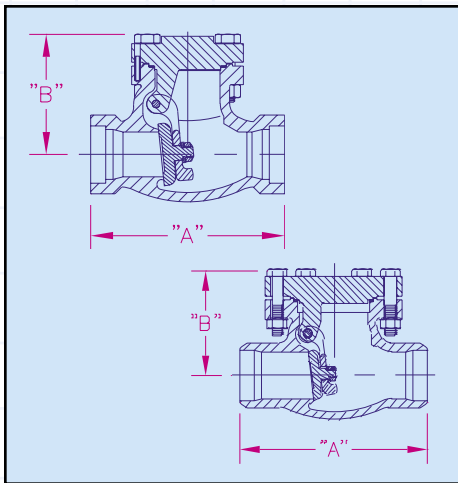


## 886

Pressure Rating 300 PSIG Non-Shock Cold  
Temperature Rating +150° F to - 325° F

Dimensional data  
All Dimensional Data are in inches.

Size	"A"	"B"
1/2"	4 1/4"	2 1/2"
3/4"	5"	3 1/4"
1"	5"	3 1/4"
1 1/2"	6 1/2"	4"
2"	8"	4 1/2"



## 886M

Service 300 Class 720 PSI Non-Shock Cold  
Temperature Rating +150° F to - 325° F

Dimensional data  
All Dimensional Data are in inches.

Size	"A"	"B"	Butt Weld End Schedule
1 1/2"	6 1/2"	4"	10
2"	8"	4 1/2"	10
3"	9 1/2"	5 3/4"	10 & 40
4"	11 1/2"	8 3/8"	10
4"	14"	8 3/8"	40

Size	"A"	"B"	End	End Dimension
1/2"	2 7/16"	4 1/4"	Socket Weld	SCH 10
1/2"	2 7/16"	4 1/4"		1/2" Pipe Socket