



Goddard 322 and 326 Series Extended Bonnet Bronze Gate Valve for Cryogenic Service



Features:

- **Top Entry:** This union bonnet valve can be permanently installed in the line and serviced from the top
 - **Construction:**
 - Bronze cast body and Internals
 - Rugged construction for long life
 - Straight through construction for high CV
 - Designed with unique KOLD-SEAL™
 - Standard split wedge design provides better sealing and cycle life
 - **Sizes:** ½" - 3" (15mm - 80mm)
 - **Ends:** Threaded (FNPT), Sil Braze Tube (SBT), Silver Brazed Pipe (SBP) or with stainless steel pipe nipples brazed in
 - **Service:** Liquified and vaporized atmospheric gases, LNG
 - **Temperature Rating:** -325°F - 150°F (-196°C + 65°C)
 - **Pressure Rating:** (Cold, Non-shock)
 - 322 Series 400 PSIG
 - 326 Series 600 PSIG
- Designed to MSS SP-80 and ASME B31.3
Series 1.5" to 3" PED Approved per EN 10204, 3.1

**Ideal for cryogenic supply and storage handling applications.
Straight-through flow for highest CV rating in the industry.**

Also available with GRAFOIL® packing



Goddard 322 and 326 Series Extended Bonnet Bronze Gate Valve for Cryogenic Service

322 Series

Bronze Gate Valves
400 PSIG COLD WORKING PRESSURE

Part Number	NPT Size Inches	NPT Size mm	Ends	Weight Lbs.	Weight Kgs.	Estimated CV
B-000322-20T4	2½"	65 mm	Threaded	19.00	8.64	372.00
B-000322-24T4	3"	80 mm	Threaded	28.00	121.73	588.00

Part Number	SBT Size Inches*	SBT Size mm	Ends	Weight Lbs.	Weight Kgs.	Estimated CV
B-000322-4S4	½"	15 mm	Silver Braze	1.75	0.80	19.80
B-000322-6S4	¾"	20 mm	Silver Braze	2.25	1.02	36.00
B-000322-8S4	1"	25 mm	Silver Braze	3.50	1.59	60.80
B-000322-12S4	1½"	40 mm	Silver Braze	7.50	3.41	152.00
B-000322-16S4	2"	50 mm	Silver Braze	11.25	5.11	245.00
B-000322-20S4	2½"	65 mm	Silver Braze	17.00	7.73	372.00
B-000322-24S4	3"	80 mm	Silver Braze	24.00	10.91	588.00

*Nominal Size

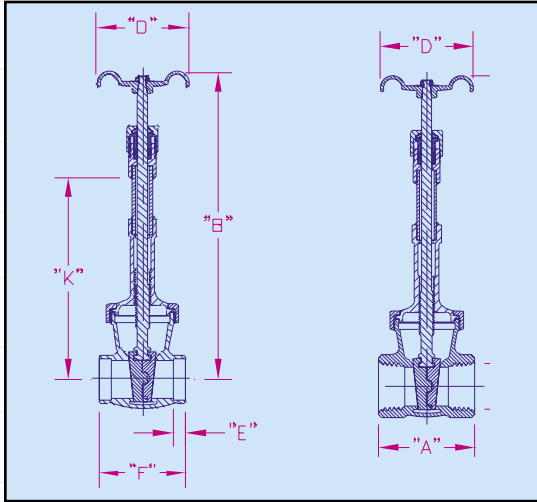
326 Series

Bronze Gate Valves
600 PSIG COLD WORKING PRESSURE

Part Number	NPT Size Inches	NPT Size mm	Ends	Weight Lbs.	Weight Kgs.	Estimated CV
B-000326-4T6	½"	15 mm	Threaded	1.75	0.80	19.80
B-000326-6T6	¾"	20 mm	Threaded	2.25	1.02	36.00
B-000326-8T6	1"	25 mm	Threaded	4.00	1.82	60.80
B-000326-12T6	1½"	40 mm	Threaded	8.25	3.75	152.00
B-000326-16T6	2"	50 mm	Threaded	12.50	5.68	245.00



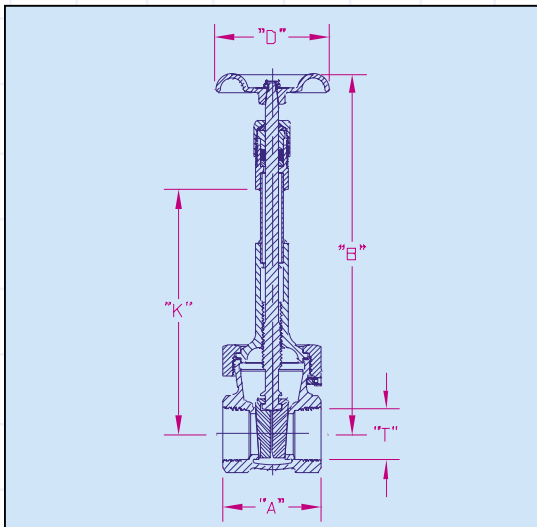
Goddard 322 and 326 Series Extended Bonnet Bronze Gate Valve for Cryogenic Service



322 Series

MAWP: 400 PSIG Non-Shock Cold
Temperature Rating +150° F to -325°F
Dimensional Data
All dimensions are in inches

Size	"A"	"B"	"D"	"T" NPT	"E"	"F"	"K"
1/2"	2 11/32"	9 3/8"	2 1/4"	1/2"	3/8"	2 1/2"	5 1/2"
3/4"	2 1/2"	10 9/16"	2 3/4"	3/4"	13/32"	3"	6 1/8"
1"	2 27/32"	12 3/8"	3"	1"	7/16"	3 1/4"	7 11/16"
1 1/2"	3 7/16"	17"	4"	1 1/2"	5/8"	4"	10 7/8"
2"	3 13/16"	19 5/8"	4 3/4"	2"	21/32"	4 1/2"	12 3/8"
2 1/2"	4 11/16"	22 1/2"	5 1/4"	2 1/2"	25/32"	5 1/4"	14 1/2"
3"	5 1/8"	24 7/8"	6"	3"	53/64"	6"	16 5/16"



326 Series

MAWP: 600 PSIG Non-Shock Cold
Temperature Rating +150° F to -325°F
Dimensional Data
All dimensions are in inches

Size	"A"	"B"	"D"	"T" NPT	"K"
1/2"	2 11/32"	9 3/8"	2 1/4"	1/2"	5 1/2"
3/4"	2 1/2"	10 9/16"	2 3/4"	3/4"	6 1/8"
1"	2 27/32"	12 3/8"	3"	1"	7 11/16"
1 1/2"	3 7/16"	17"	4"	1 1/2"	10 7/8"
3"	3 13/16"	19 5/8"	4 3/4"	2"	12 3/8"