



Goddard 302, 306, 310 & 310X Series Bronze Gate Valves for Cryogenic Service



Features:

- **Top Entry:** This union bonnet valve can be permanently installed in the line and serviced from the top
 - **Soft Seated:** PCTFE Seat provides a virtually bubble tight seal and is replaceable in solid wedge types.
**310 & 310X Series only*
 - **Construction:**
Bronze cast body and bonnet
Rugged construction for long life
Straight through design for high CV
Designed with unique KOLD-SEAL™
Standard split wedge design provides better sealing and cycle life
 - **Sizes:** ½" - 3" (15mm - 80mm)
 - **Ends:** Threaded (FNPT), Sil Braze Tube (SBT), or with stainless steel pipe nipples brazed in
 - **Service:** Liquefied and vaporized atmospheric gases, LNG
 - **Temperature Rating:** -325°F - 150°F (-196°C + 65°C)
 - **Pressure Rating:** (Cold, Non-shock)
310, 310x Series 300 PSIG
302 Series 400 PSIG
306 Series 600 PSIG
- Designed to MSS SP-80 and ASME B31.3
Sizes 1.5" - 3.0" PED approved per EN 10204, 3.1

**Gate design for high flow applications.
Straight-through flow for highest CV rating in the industry.**

302, 306 Non-Extended stem for selective cold gas applications

310, 310X Extended stem ideal for cryogenic supply applications



Goddard 302, 306, 310 & 310X Series Bronze Gate Valves for Cryogenic Service

302 Series

Bronze Gate Valves
Bronze Body Non-Extended Bonnet, Split Wedge
For selected cold gas operations
400 PSIG COLD WORKING PRESSURE

Part Number	NPT Size Inches	NPT Size mm	Ends	Weight Lbs.	Weight Kgs.	Estimated CV
B-000302-4T4	½"	15	Threaded	1.50	0.70	19.80
B-000302-20T4	2½"	65	Threaded	17.50	8.00	372.00
B-000302-24T4	3"	80	Threaded	26.00	11.80	588.00

Part Number	SBT Size Inches*	SBT Size mm*	Ends	Weight Lbs.	Weight Kgs.	Estimated CV
B-000302-4S4	½"	15	Silver Braze	1.25	0.60	19.80
B-000302-6S4	¾"	20	Silver Braze	2.25	1.00	36.00
B-000302-8S4	1"	25	Silver Braze	3.00	1.40	60.80
B-000302-12S4	1½"	40	Silver Braze	6.00	2.70	152.00
B-000302-16S4	2"	50	Silver Braze	9.50	4.30	245.00
B-000302-20S4	2½"	65	Silver Braze	14.50	6.60	372.00
B-000302-24S4	3"	80	Silver Braze	22.00	10.00	588.00

*Nominal Size

306 Series

600 PSIG Bronze Body, Non-Extended Bonnet, Split Wedge

Part Number	NPT Size Inches	NPT Size mm	Ends	Weight Lbs.	Weight Kgs.	Estimated CV
B-000306-6T6	¾"	20	Threaded	2.25	1.00	36.00
B-000306-8T6	1"	25	Threaded	3.00	1.40	60.80
B-000306-12T6	1½"	40	Threaded	6.00	2.70	152.00
B-000306-16T6	2"	50	Threaded	9.50	4.30	245.00

310 Series

300 PSIG Bronze Body, Extended Bonnet, Solid Wedge, Soft Seat

Part Number	NPT Size Inches	NPT Size mm	Ends	Weight Lbs.	Weight Kgs.	Estimated CV
B-000310-20T	2½"	65	Threaded	14.50	6.60	372.00
B-000310-24T	3"	80	Threaded	22.00	10.00	588.00

Part Number	SBT Size Inches *	SBT Size mm *	Ends	Weight Lbs.	Weight Kgs.	Estimated CV
B-000310-24S	3"	80	Silver Braze	22.00	10.00	588.00

*Nominal Size

310X Series

Short Top Works for Trailer Service

300 PSIG Bronze Body, Extended Bonnet, Solid Wedge, Soft Seat

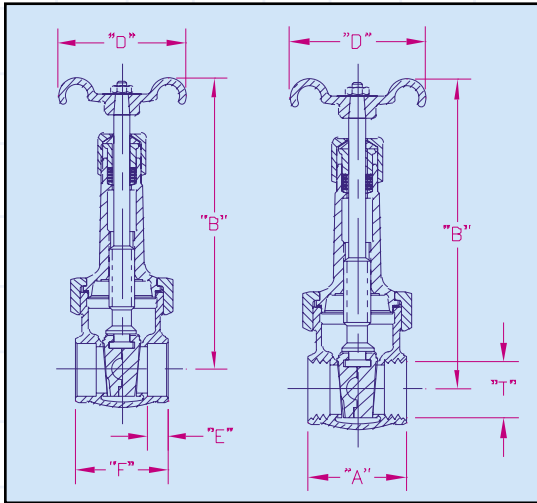
Part Number	NPT Size Inches	NPT Size mm	Ends	Weight Lbs.	Weight Kgs.	Estimated CV
B-000310X-20T	2½"	65	Threaded	14.50	6.60	372.00
B-000310X-24T	3"	80	Threaded	22.00	10.00	588.00

Part Number	SBT Size Inches *	SBT Size mm *	Ends	Weight Lbs.	Weight Kgs.	Estimated CV
B-000310X-24S	3"	80	Silver Braze	22.00	10.00	588.00

*Nominal Size



Goddard 302, 306, 310 & 310X Series Bronze Gate Valves for Cryogenic Service



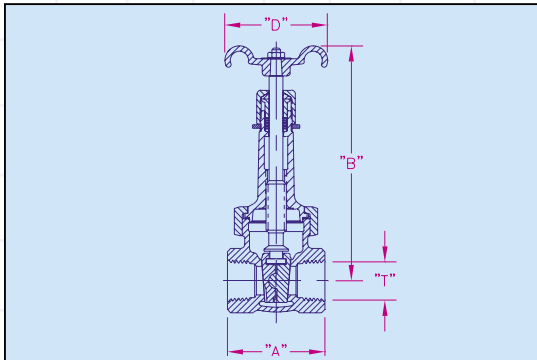
302 Series

MAWP: 400 PSIG Non-Shock Cold Temperature Rating +150° F to -325°F
Non-Extended Valve for selective cold gas applications

Dimensional Data

All dimensions are in inches

Size	"A"	"B"	"D"	"T" NPT	"E"	"F"
1/2"	2 11/32"	5 13/16"	2 1/4"	1/2"	3/8"	2 1/2"
3/4"	2 1/2"	6 15/16"	2 3/4"	3/4"	13/32"	3"
1"	2 27/32"	8 7/16"	3"	1"	7/16"	3 1/4"
1 1/2"	3 7/16"	11 3/16"	4"	1 1/2"	5/8"	4"
2"	3 13/16"	13 3/16"	4 3/4"	2"	2 1/32"	4 1/2"
2 1/2"	4 11/16"	15 13/16"	5 1/4"	2 1/2"	25/32"	5 1/4"
3"	5 1/8"	18 1/4"	6"	3"	53/64"	6"



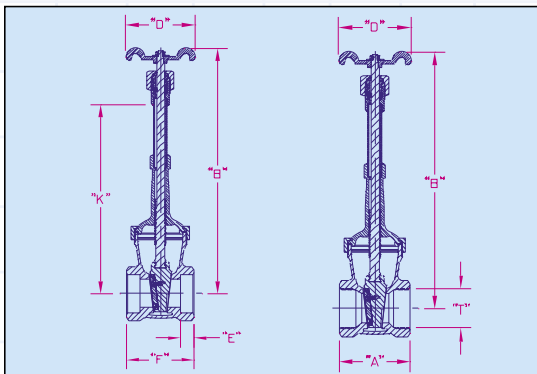
306 Series

MAWP: 600 PSIG Non-Shock Cold Temperature Rating +150° F to -325°F
Non-Extended Valve for selective cold gas applications

Dimensional Data

All dimensions are in inches

Size	"A"	"B"	"D"	"T" NPT
3/4"	2 1/2"	6 15/16"	2 3/4"	3/4"
1"	2 27/32"	8 7/16"	3"	1"
1 1/2"	3 7/16"	11 3/16"	4"	1 1/2"
2"	3 13/16"	13 3/16"	4 3/4"	2"



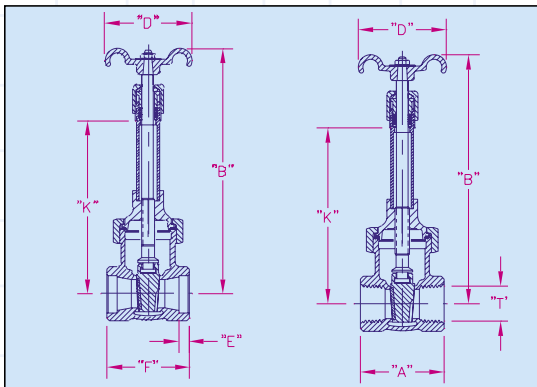
310 Series

MAWP: 300 PSIG Non-Shock Cold Temperature Rating +150° F to -325°F
Extended Valve for selective cold gas applications

Dimensional Data

All dimensions are in inches

Size	"A"	"B"	"D"	"T" NPT	"E"	"F"	"K"
2 1/2"	6"	25 3/8"	2 3/4"	2 1/2"	25/32"	6"	16 13/16"
3"	6"	25 3/8"	3"	3"	53/64"	6"	16 13/16"



310X Series

MAWP: 300 PSIG Non-Shock Cold Temperature Rating +150° F to -325°F
Extended Valve for selective cold gas applications, Ideal for Trailer Service

Dimensional Data

All dimensions are in inches

Size	"A"	"B"	"D"	"T" NPT	"E"	"F"	"K"
2 1/2"	6"	20 3/8"	6"	2 1/2"	25/32"	6"	11 1/2"
3"	6"	20 3/8"	6"	3"	53/64"	6"	11 1/2"