



Goddard 232 Series Stainless Steel Globe Valve for Cryogenic Service



Features:

- **Top Entry:** Rugged stainless steel * soft seated cryogenic globe valve. This valve can be permanently installed in the line and serviced from the top
- **Soft Seated:** PCTFE Seat provides a virtually bubble tight seal. Stem/Globe assembly is replaceable
- **Construction:** One piece investment cast bonnet eliminates welded joint in topworks.
- **Sizes:** 1/2" through 1 1/2" (15mm through 40mm)
- **Ends:** Socket weld and Butt weld
- **Service:** Liquified and vaporized atmospheric gases, LNG
- **Temperature Rating:** -325°F to 150°F (-198°C to +65°C)
- **Pressure Rating:** (Cold, Non-shock)
300 PSIG (20 Bar)
400 PSIG (27 Bar)

*Stainless steel ASTM A351-CF3M (316L)

PED Approved, Approved for US and Canada
Designed to ASME B16.34

A rugged construction and easy access are design features which provide minimum installation and maintenance cost while maintaining superior performance and operator safety.



Goddard 232 Series Stainless Steel Globe Valve for Cryogenic Service

**Stainless Body
Socket Weld Ends
400 PSIG**

Part Number	Valve size Inches	Valve Size mm	Ends	Weight Lbs.	Weight Kgs.	Estimated Cv
S-000232-4S4	½"	15 mm	Socket Weld	6 lbs.	2.72 Kgs.	3.90
S-000232-8S4	1"	25 mm	Socket Weld	10 lbs.	4.54 Kgs.	10.50

**High Purity Cryogenic Bonnet Chrome Plated Naval Brass Yoke Bushing
Stainless Body
Butt Weld Ends
300 PSIG**

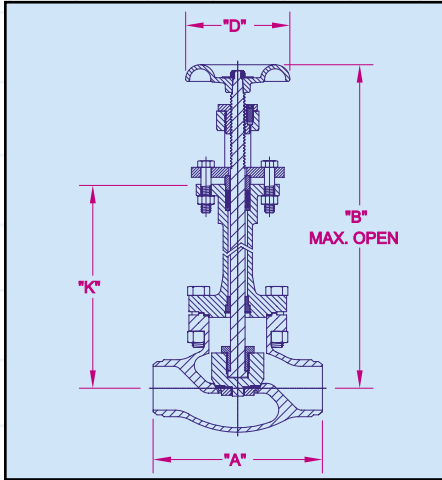
Part Number	Valve size Inches	Valve Size mm	Ends	Weight Lbs.	Weight Kgs.	Estimated Cv
S-232HCB-4WA	½"	15 mm	Butt Weld	6 Lbs.	2.72 Kgs.	3.90
S-232HCB-8WA	1"	25 mm	Butt Weld	10 Lbs.	4.54 Kgs.	10.50
S-232HCB-12WA	1½"	40 mm	Butt Weld	15 Lbs.	6.80 Kgs.	25.00

**High Purity Cryogenic Bonnet Chrome Plated Naval Brass Yoke Bushing
Socket Weld Ends
400 PSIG**

Part Number	Valve size Inches	Valve Size mm	Ends	Weight Lbs.	Weight Kgs.	Estimated Cv
S-232HCB-4S4	½"	15 mm	Socket Weld	6 lbs.	2.72 Kgs.	3.90
S-232HCB-8S4	1"	25 mm	Socket Weld	10 Lbs.	4.54 Kgs.	10.50
S-232HCB-12S4	1½"	40 mm	Socket Weld	15 Lbs.	6.80 Kgs.	25.00



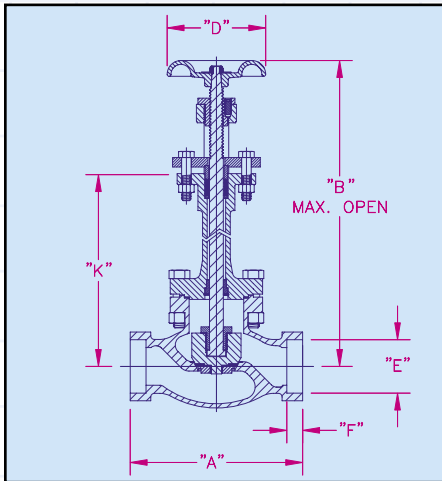
Goddard 232 Series Stainless Steel Globe Valve for Cryogenic Service



Pressure rating 300 PSIG non-shock cold
 Temperature rating +150° F to -325° F
 Dimensional Data
 All dimensions are in inches

BUTT WELD ENDS

Size	"A"	"B"	"D"	"K"
1/2"	4 1/4"	14 9/16"	2 3/8"	10 3/16"
1"	5"	17"	3"	11 1/2"
1 1/2"	6"	18 7/8"	4"	12 5/16"



Pressure rating 400 PSIG non-shock cold
 Temperature rating +150° F to -325° F
 Dimensional Data
 All dimensions are in inches

SOCKET WELD ENDS

Size	"A"	"B"	"D"	"E"	"F"	"K"
1/2"	4 1/4"	14 9/16"	2 3/8"	0.860	0.375	10 3/16"
1"	5 3/8"	17"	3"	1.335	0.500	11 1/2"
1 1/2"	6 1/2"	18 7/8"	4"	1.920	0.500	12 5/16"