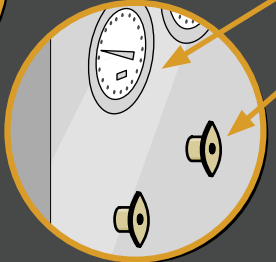
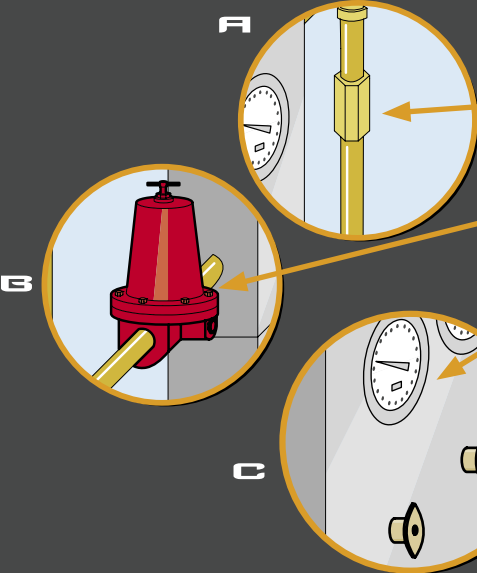
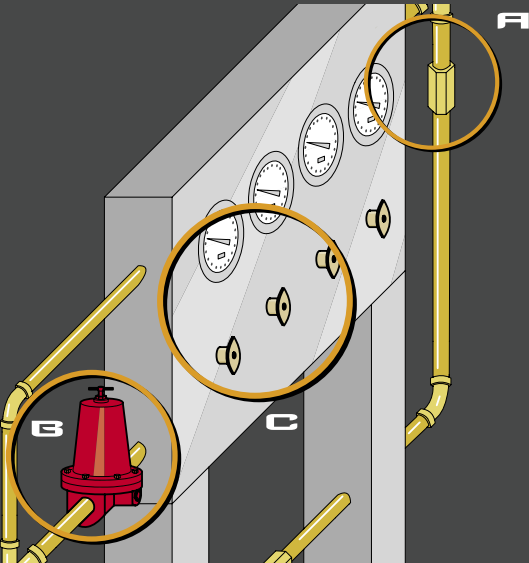
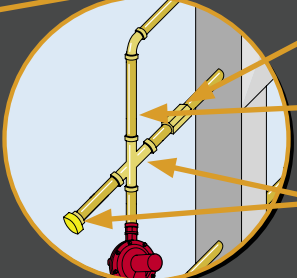
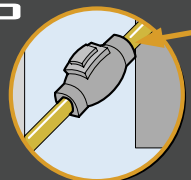
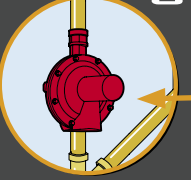
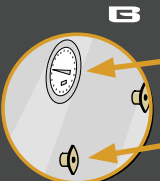
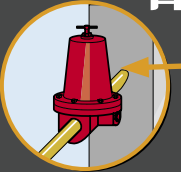
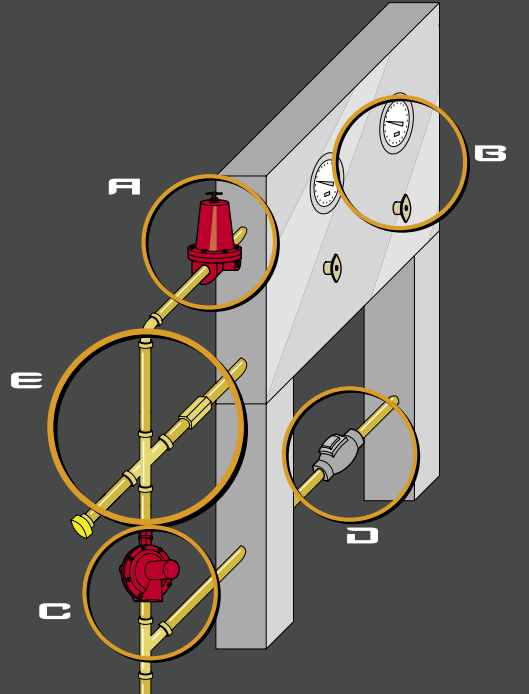


High Pressure Manifold and Delivery Systems



- RegO CG Series gas check valves
- RegO 1780 Series Heavy Duty Gas Line Regulator
- RegO 5562 C High Pressure Gauge
- RegO 9560 Series high pressure valves

Gas Delivery Manifold Systems Medium and Low Pressure



- RegO B-9470M and BR-9470 Series Line Regulators
- RegO Pressure Gauges
- RegO 9560 HP Valves
- RegO 4403 Series Low Pressure Line Regulators
- RegO 8500 Series horizontal check valves
- RegO CG Series cryogenic check valves
- RegO Brass pipe
- RegO Brass Elbows Tees, Crosses, Caps and Plugs